

SPECIFICATIONS:

- FREQUENCY: 0.5 GHz TO 18 GHz
- INSERTION LOSS: REFLECTIVE: 3.25db
 ABSORPTIVE: 4.0db
- ISOLATION: 0.5 GHz TO 18 GHz: 60db
- VSWR: REFLECTIVE IN/OUT: 2.0:1
 ABSORPTIVE IN/OUT: 2.0:1
 ABSORPTIVE OUT/OFF: 2.0:1
- SPEED: RISE: 15ns MAX.
 FALL: 15ns MAX.
 DELAY ON: 100ns MAX.
 DELAY OFF: 100ns MAX.
- POWER INPUT: (CW)+20dBm (STANDARD), +10 dBm (HIGH SPEED)
- SURVIVAL POWER: 1 WATT CW, 10 WATTS PEAK 1 usec
- CONTROL: TTL LOGIC "0"=ON "1"=OFF
- POWER SUPPLY: +5V @ 250 mA MAX.
 -5V @ 75mA MAX.(RELECTIVE)
 100mA MAX.(ABSORPTIVE/NON-REFLECTIVE)

OPTIONS:

- DEC-SP 3 BIT DECODER WITH SOLDER PIN
- B01 -12V POWER SUPPLIES
- B02 -15V POWER SUPPLIES
- B03 REVERSE LOGIC "1"=ON "0"=OFF
- B04 DRIVERLESS, CURRENT CONTROLLED
- B05 HIGH SPEED, TURNON/TURNOFF 25 nsec MAXIMUM
 WHEN APPLICABLE
- B06 HIGH POWER - SPECIFY CW POWER, PEAK POWER, PULSE WIDTH,
 DUTY CYCLE, RF FREQUENCY AND BANDWIDTH
- B08 LOW VIDEO TRANSIENTS - SPECIFY VIDEO BANDWIDTH
- B10 HIGHER ISOLATION VERSION (SPECIFY)

ENVIRONMENTAL RATINGS:

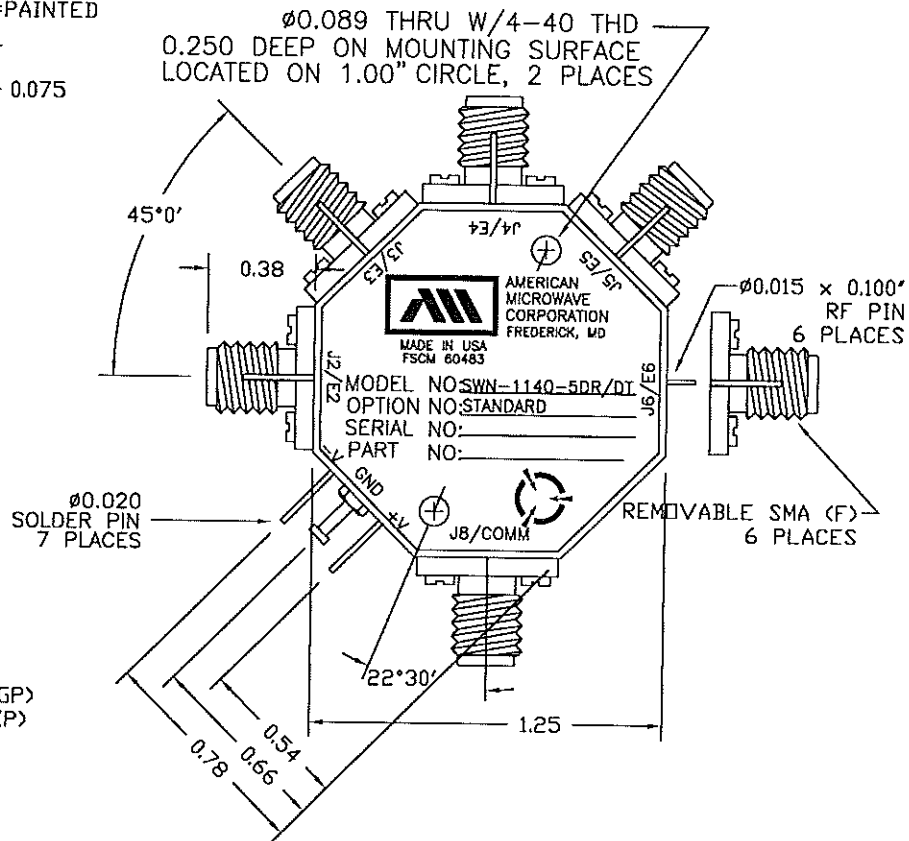
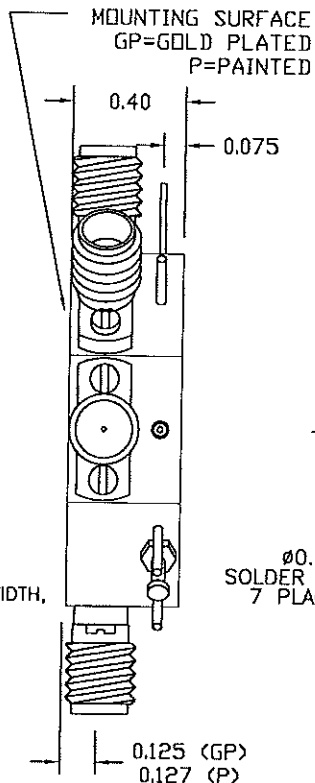
- TEMPERATURE: -40°C TO +85°C (OPERATING)
 -65°C TO +125°C (STORAGE)
- HUMIDITY: MIL-STD-202F, METHOD 103B COND. B
- SHOCK: MIL-STD-202F, METHOD 213B COND. B
- VIBRATION: MIL-STD-202F, METHOD 204D COND. B
- ALTITUDE: MIL-STD-202F, METHOD 105C COND. B
- TEMPERATURE CYCLE: MIL-STD-202F, METHOD 107D COND. A

NOTE: THE ABOVE SPECIFICATIONS ARE SUBJECT TO CHANGE OR REVISION
 * Units are designed to meet Environmental ratings but not tested. If
 Environmental Testing is required, please contact Sales Department.

ALL DIMENSIONS ARE IN INCHES
 TOLERANCES:

- X.XX ±0.020
- X.XXX ±0.010

REVISIONS				
ZONE	REV.	DESCRIPTION	DATE	APPROVED
	A	ORIGINAL RELEASE	8/18/97	
	B	SEE ECR# 09-025	6/9/09	<i>UK</i>



NOTE:

- DR=WITH DRIVER, REFLECTIVE
- DT=WITH DRIVER, NON-REFLECTIVE/ABSORPTIVE

CONTRACT NO.		AMERICAN MICROWAVE CORPORATION FREDERICK, MARYLAND		
APPROVALS	DATE	TITLE		
DRAWN <i>WSP</i>	8/18/97	OUTLINE DRAWING		
CHECKED <i>UK</i>	6/10/09	SWN-1140-5DR/DT-STANDARD		
ISSUED		REFLECTIVE OR NON-REFLECTIVE/ABSORPTIVE RADIAL SOLID STATE SWITCH		
SIZE	FSCM NO.	DWG NO.	REV.	
A	60483	100-4168-1	B	
SCALE N/S		SHEET		1 of 1